

A family for any eventuality

The T-Series from OBO

A wide range of junction boxes:
seven sizes, six variants, one family.



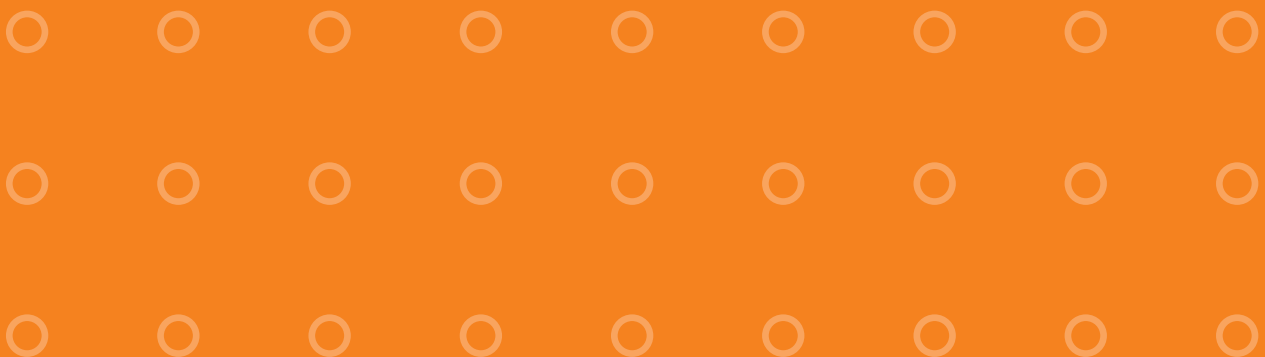
In this family, everyone has their own task

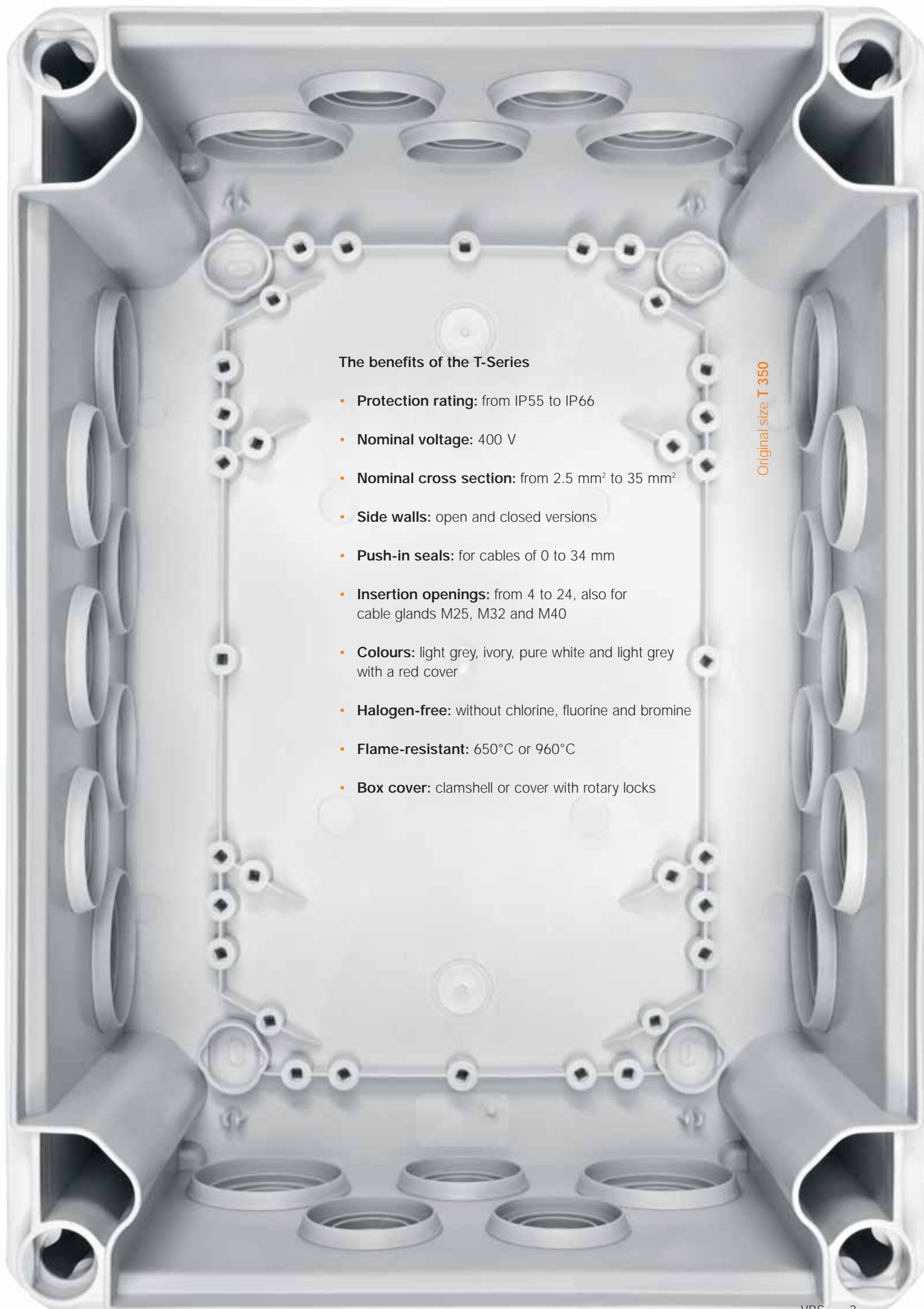
Big in every sense



Original size T 25

The new family for professional installations: in the T-Series, you can find the perfect cable junction box for any application. And each one of them can fulfil their task with flying colours – from the small round box (T 25) through the medium-sized box (T 100) right up to the really big box (T 350). On a functional side, the T-Series is prepared for anything: be it with a clamshell or a cover with a rotary closure, be it with 4, 10 or 24 entries – the T-Series has the perfect solution for any task. With the T-Series, OBO has brought the most comprehensive product range in Europe onto the market. And for you as a professional, has again made work just that bit easier.





The benefits of the T-Series

- **Protection rating:** from IP55 to IP66
- **Nominal voltage:** 400 V
- **Nominal cross section:** from 2.5 mm² to 35 mm²
- **Side walls:** open and closed versions
- **Push-in seals:** for cables of 0 to 34 mm
- **Insertion openings:** from 4 to 24, also for cable glands M25, M32 and M40
- **Colours:** light grey, ivory, pure white and light grey with a red cover
- **Halogen-free:** without chlorine, fluorine and bromine
- **Flame-resistant:** 650°C or 960°C
- **Box cover:** clamshell or cover with rotary locks

Original size T 350

A family gathering

Everything at a glance

Open or closed?

Practical: in the standard version, the side walls are equipped with openings, which are closed off with four to 24 cable push-in seals. There are also boxes with completely closed side walls for individual installations.



T 25

Ø 80 x 51



T 40

90 x 90 x 52



T 60

114 x 114 x 57



T 100

151 x 117 x 67



Discreet or noticeable?

Colourful: the cable junction boxes with push-in seals are available in the colours light grey, ivory, pure white and light grey with a red cover.





T 160

190 x 150 x 77



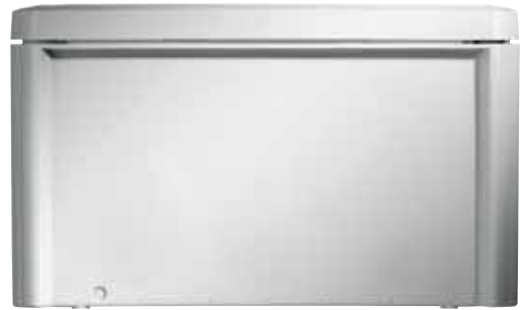
T 250

240 x 190 x 95



T 350

285 x 201 x 120



This family has many talents

Characteristics of the T-Series Part I



Information table in the lid

Clear: refer to the table for information on the maximum number of wires and terminals – depending on the cross-section.

The family from a good home

The T-Series has a lot of relations, with whom it gets on well. For professional installations, OBO, as a systems' provider, can offer not just cable junction boxes, but also cable glands and electrical installation material, from cable fastening clips right through to bolts and anchors. The mounting plates are ideal for mounting and fastening on OBO cable trays from the KTS cable support series. A well thought-out complete system from a single source.



Labelling panel

Clear: large labelling panels on all box covers allow detailed labelling of all the installed consumers.



Pipe push-in seals

Binding: the cable junction boxes with insertion openings can also be equipped with push-in seals for pipes. This allows connection of the pipes and the cable junction box.



Push-in seals

Simple: the cable junction boxes of the T-Series with openings are closed with push-in seals. In them, cables can be installed without aids with the use of punctures.



Insertion opening

Fixed tight: cable glands of type V-TEC VM can be inserted in the push-in seals and locked on the inner side with counter nuts.



Break-out openings in the base

Optional: there are break-out openings in the box base, through which a cable coming from the floor can be installed.

Closed variants

Variable: in the closed variants, required openings can be made anywhere.



Top hat rail fastening

Under the hat: in cable box bases of sizes T 60 to T 350, top hat profile rails can be mounted both in the transverse and longitudinal directions.



Clamping block fixing

Willing to accept: a clamping block can be inserted in the interior of the cable junction boxes T25 to T100.



Floor/wall fastening

Solid as a rock: in the box base, two to four break-out openings provide the opportunity of fixing the box. The enclosed screw cover flaps allow reclosure of the openings.



Corner dome wall fastening

Mountable: from box size T 60 upwards, the cable junction boxes can be mounted on the substrate using the corner domes for cover fastening.



This family has many talents
Characteristics of the T-Series Part II



Things can get heated even in the best families

If there is a fire, then the T-Series can provide maximum safety. All the junction boxes are subjected to the flame resistance test to 650°C according to DIN EN 60695-2-11 and carry the VDE symbol. For greater requirements to 960°C flame resistance there is an extra variant available. The extra-flame resistant models carry an F behind the type designation, e.g. T 60F. All the boxes are made of the halogen-free material polypropylene and do not contain any fluorine, chlorine or bromine.



Turning lock

Secure: the round and smallest square junction box with internal thread in the base is fixed to the floor using the turn lock.

M6 thread in base

Screwed-on: with an inner thread in the box base, it is possible to screw the two small sizes T 25 and T 40 on a M6 thread.



Clamshell

Well-equipped: the boxes T 25 and T 40 of the T-Series are equipped with a clamshell, which does not require a roary lock.

Cover captivity with holding strip

Always there: in the inside of the box, each cover is fixed with a holding strip to the base, meaning that it cannot be lost.



Cover closure

Like lightning: from size T 60, the lid is fixed to the base using rotary locks and opened or closed with a quarter turn.

Protection rating IP 55

Well protected: all the cable junction boxes of the T-Series are protected against dust and water to at least IP 55 in accordance with the VDE test.



Alignment markings

Straight as a die: on all sides of the cable junction boxes, there are markings, for horizontal alignment of the box to a chalk line.

Lead sealing

Secure: from size T 60, the cable junction boxes can be lead-sealed through rotary locks.



Condensation opening

Well-prepared: on each side wall of the cable junction box, there is a condensation opening, which can be pushed in as necessary.

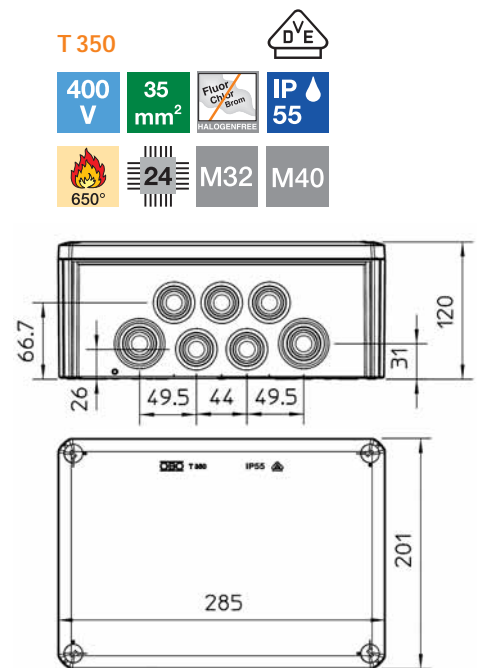
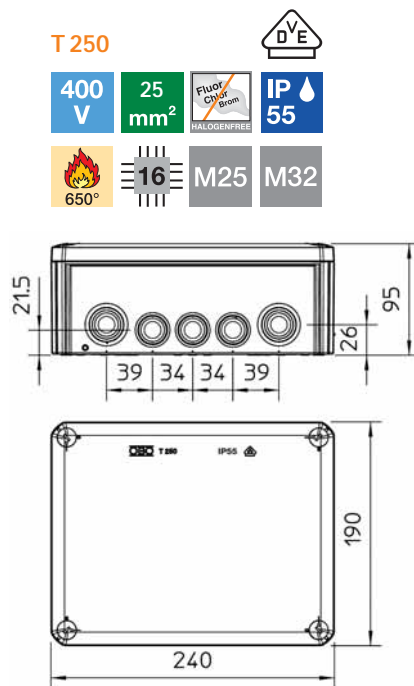
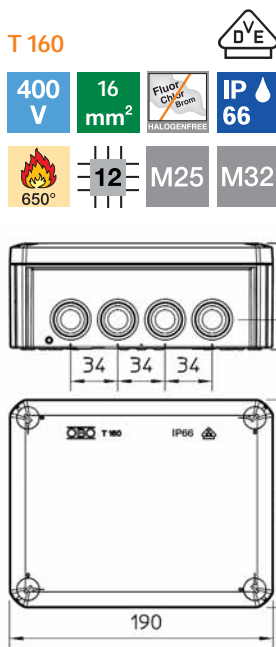
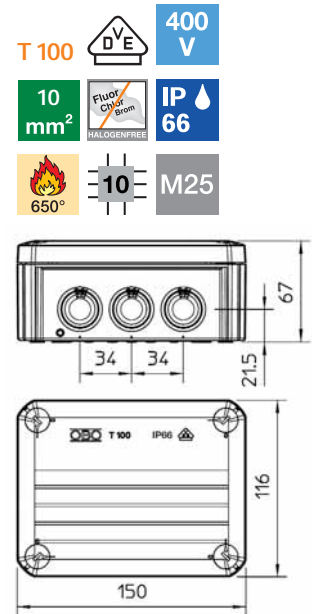
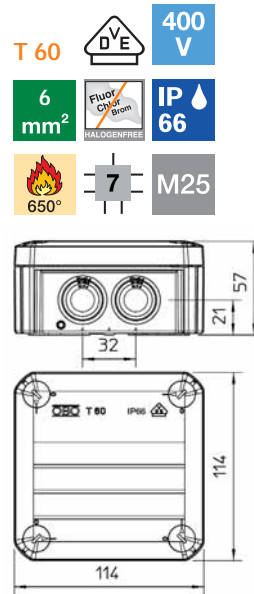
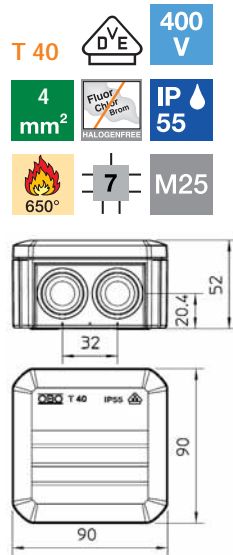
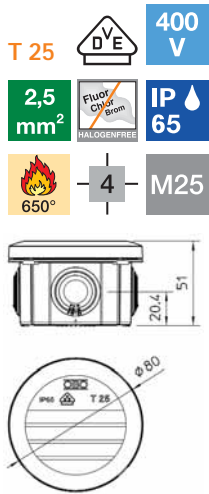
Foamed cover seal

Very tight: the cable junction box covers from size T 60 upwards have a foamed cover seal. This achieves a high protection rating up to IP 66.



Technical data

The T-Series



Verband der Elektrotechnik, Elektronik, Informationstechnik e.V., Germany



Nominal voltage



Nominal cross section



Halogen-free: without chlorine, fluorine and bromine



Protection level



Flame resistant



Cable entries



Size of entries

Accessories: We've thought of everything



Mounting plate fastening

Catchy: the base substrate has two to four integrated fixing domes for a steel screw 3.5 x 9.5 mm, to fasten the box to a mounting plate.



Terminal strip

Plugged in: a terminal strip can be retrofitted in the boxes T 25 to T 100. It is plugged onto the dome in the base.



Box clamps

Well connected: OBO Dolü junction and push-in clamps always ensure a secure connection.



Fastening accessories

Ready for anything: OBO can offer a complete range of fixings for quickest-possible mounting on any substrate.



For cable glands

Systematic: the openings in the box are matched with the external thread dimension of the OBO cable glands. For high mechanical protection, glands can be mounted instead of the seals.

Type	Colour	Material	Art. no.
------	--------	----------	----------

T-Series cable junction box with entries,

T 25	light grey	PP	2007 02 9
T 40	light grey	PP	2007 04 5
T 60	light grey	PP	2007 06 1
T 100	light grey	PP	2007 07 7
T 160	light grey	PP/GF	2007 09 3
T 250	light grey	PP/GF	2007 10 9
T 350	light grey	PP/GF	2007 12 5



T-Series cable junction box with entries

T 25	ivory	PP	2007 58 1
T 40	ivory	PP	2007 58 4
T 60	ivory	PP	2007 58 7
T 100	ivory	PP	2007 59 0
T 160	ivory	PP/GF	2007 59 3
T 250	ivory	PP/GF	2007 59 6
T 350	ivory	PP/GF	2007 59 9



T-Series cable junction box, closed

T 40	light grey	PP	2007 22 3
T 60	light grey	PP	2007 23 9
T 100	light grey	PP	2007 25 5
T 160	light grey	PP/GF	2007 27 1
T 250	light grey	PP/GF	2007 28 7
T 350	light grey	PP/GF	2007 30 3



T-Series cable junction box with entries, red cover

T 25	red/grey	PP	2007 62 2
T 40	red/grey	PP	2007 63 0
T 60	red/grey	PP	2007 63 8
T 100	red/grey	PP	2007 64 4
T 160	red/grey	PP	2007 64 9
T 250	red/grey	PP	2007 65 7
T 350	red/grey	PP	2007 66 5



T-Series cable junction box with entries

T 25	pure white	PP	2007 50 9
T 40	pure white	PP	2007 51 7
T 60	pure white	PP	2007 52 5
T 100	pure white	PP	2007 53 3
T 160	pure white	PP/GF	2007 54 1
T 250	pure white	PP/GF	2007 55 4
T 350	pure white	PP/GF	2007 56 8



T-Series cable junction box with entries, flame-resistant*

T 25F	light grey	PP	2007 31 2
T 40F	light grey	PP	2007 32 0
T 60F	light grey	PP	2007 33 9
T 100F	light grey	PP	2007 34 7
T 160F	light grey	PP/GF	2007 35 5
T 250F	light grey	PP/GF	2007 36 3
T 350F	light grey	PP/GF	2007 37 1



* to 960°C



Typ	Material	Dimensions	Art. no.
-----	----------	------------	----------

Push-in seals for cables in light grey

EDK	EVA	Ø 25/4-20	2011 63 8
EDK	EVA	Ø 32/4-25	2011 64 6
EDK	EVA	Ø 40/4-32	2011 65 4



Push-in seals for cables in ivory

EDK	EVA	Ø 25/4-20	2011 66 6
EDK	EVA	Ø 32/4-25	2011 67 0
EDK	EVA	Ø 40/4-32	2011 67 4



Push-in seals for cables in pure white

EDK	EVA	Ø 25/4-20	2011 68 9
EDK	EVA	Ø 32/4-25	2011 69 7
EDK	EVA	Ø 40/4-32	2011 70 0



Push-in seals for pipes in light grey

EDR	PVC	Ø 25/16-20	2011 50 6
EDR	PVC	Ø 25/20-25	2011 51 4
EDR	PVC	Ø 32/20-25	2011 52 2
EDR	PVC	Ø 32/25-32	2011 53 0
EDR	PVC	Ø 40/25-32	2011 53 8
EDR	PVC	Ø 40/32-40	2011 54 6



A family which can blend in

The T-Series also knows a thing or two about design. You can blend the colour of the cable junction box into the environment or set accents, as they are available not just in the standard colour light grey (RAL 7035), but also in the additional colours ivory (RAL 1015), pure white (RAL 9010) and light grey with a red cover.

The design is modern and harmonious. All the rectangular boxes have the same noticeable corner contours - ensuring continuity in design. The soft ends of the cover contours mean that there are no hard edges. The covers are flush with the housings. This provides additional stability for the walls. The push-in seals are flat and countersunk in the housing, so that they do not protrude over the edge. This means that the boxes can be placed in a row without any gaps.



OBO. Used by professionals.



VBS TBS KTS BSS LFS EGS UFS

OBO BETTERMANN GmbH & Co.
P.O. Box 1120 · D-58694 Menden
Tel. +49 (0)23 73 890
Fax +49 (0)23 73 89238
E-Mail: info@obo.de · www.obo-bettermann.com

Central Technical Hotline
Tel. +49 (0)23 73 891500
Fax +49 (0)23 73 891550
E-Mail hotline@obo.de

OBO
BETTERMANN